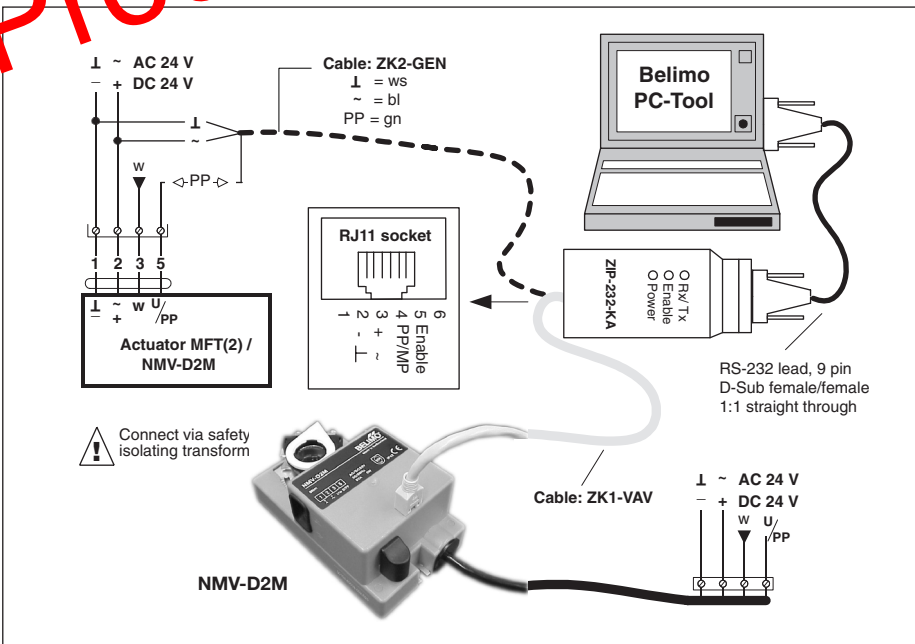




Danger
The enclosure of the device may only be opened by the manufacturer. It contains no components which the user can replace or repair.

Wiring diagram



Interface with RJ11- socket and PC- connection cable

Description

The ZIP-232-KA is a signal level converter between the RS232-Interface of a PC and the MP-bus from Belimo. Thanks to its compact size the unit is ideal for the use on a plant.

Power supply

The power supply comes from the plant system via the connected MFT(2) actuator / VAV- controller.

Connection and indication

A computer is connected through the D-Sub- plug and the associated RS232-cable.

An MFT(2) actuator / VAV controller is connected through a special cable with an RJ11- plug.

Indication

These LED's show the status of the interface and the flow of data between the ZIP-232-KA and the MFT(2) actuator / VAV controller.

LED Power

Steady light when the power supply is existent which ensures the operation of the interface.

LED Enable

Steady light when the interface is active.

LED Rx/ Tx

- flashing: communication active
- steady light: Interface inactive, no communication (PC is not connected or PC- interface is inactive).

Accessories:

ZK1-VAV:
cable 5m, RJ11- plug, plug for NMV-D2M.

ZK2-GEN:
cable 5m, RJ11- plug, open wires.

Additional cable on request

Additional application

The ZIP-232-KA can also be used with the Belimo window ventilation system (FLS).

Technical data	ZIP-232-KA
Nominal voltage	AC24 V 50/60 Hz, DC 24 V
Nominal voltage range	AC 19.2...28.8 V, DC 21.6...28.8 V
For wire sizing	1.6 VA
Power consumption	0.8 W
RS232 / MP link	by optocoupler, GND: 2 MΩ/1nF
Connections	
• RS232	Plug D-Sub 9pin + cable RS232, 2m
• MP device	RJ11- socket
Protection class	III safety extra-low voltage
Degree of protection	IP 20
Ambient temperature range	0...+50°C
Non-operating temperature	-40...+80°C
EMC	CE according 89/336/EWG
Maintenance	maintenance- free
Weight	52 g / 185 g (without/with RS232-cable)

Dimensions

