

Connection to Profibus DP with UN-DP Belimo gateway

MP-Bus gateway to Profibus DP UN-DP Belimo

- MP-Bus/Profibus DP interface
- Up to 8 MP/MFT(2) actuators can be connected

Description of the gateway

A-M-Systeme has a UN-DP BELIMO gateway for MP-Bus/Profibus DP in its assortment. This allows MP or MFT(2) actuators to be connected to Profibus DP with a direct bus capability. The gateway supports all BELIMO actuator assortments:

- MP damper and valve actuators,
- MP fire damper actuators,
- MP window ventilation actuators and
- MP VAV controllers.

The MP-Bus/Profibus gateway has a 3-pin socket by means of which the BELIMO-Tool can be connected to the MP-Bus line for diagnostic purposes.

Mode of operation

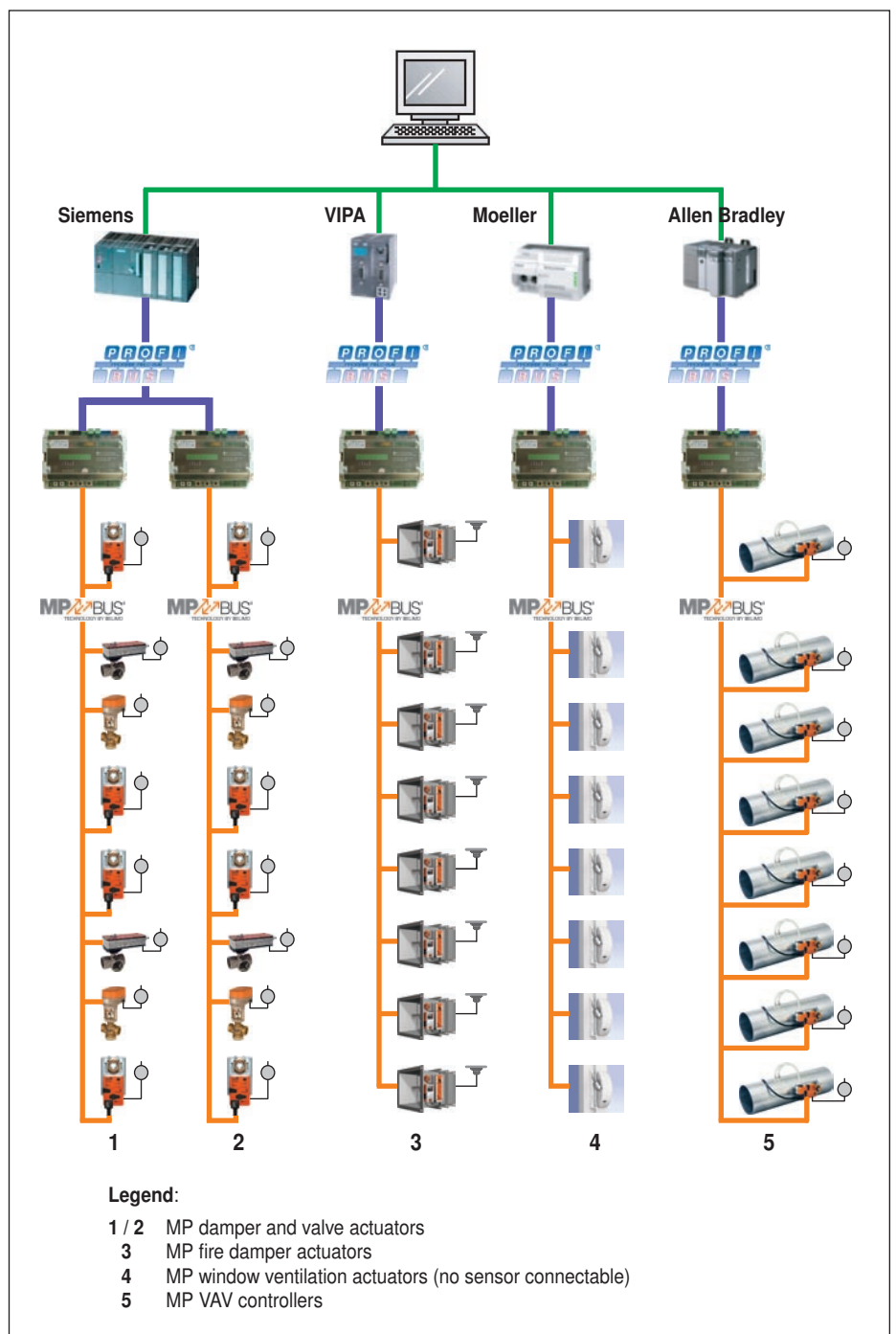
The UN-DP BELIMO gateway allows the actuators to be digitally controlled via the MP-Bus and to send back their current operating status. The UN-DP BELIMO gateway converts the digital information from the controller and the checkback into Profibus DP.

Sensor interface

One sensor can be connected per MP/MFT(2) actuator. This can be a passive resistance sensor (Pt1000, Ni1000 or NTC), an active sensor (e.g. with output DC 0 ... 10 V), or a switching contact. This provides a straightforward way of digitising the analog signal of the sensors with the BELIMO actuator and transferring it via the UN-DP BELIMO gateway to Profibus DP.

Compatibility and interoperability

The gateway is certified by the Profibus User Organisation. Compatibility with conventional Profibus systems (Siemens S7, VIPA, Moeller, Allen Bradley, Rockwell, ABB, etc.) is therefore assured.



Belimo MP-Bus technology at a glance

MP stands for **Multi Point**. The MP-Bus is the BELIMO master/slave bus. Up to eight slaves can be connected to a master unit. MP masters are PLC or DDC controllers with MP interface or „gateways“ to fieldbus systems such as LonWorks, EIB/Konnex or Profibus DP. Advantages include considerably reduced wiring expenses, a clearer arrangement, a substantially higher functionality and cost savings as well.

Typical applications with UN-DP Belimo gateway

A total of 8 MP/MFT(2) actuators can be connected to each gateway. These can be MP/MFT(2) damper and valve actuators, MP-VAV units, window ventilation actuators (FLS) or MP-capable fire damper actuators. For safety reasons, it is recommended that only fire damper actuators should be connected to each MP line in the case of fire dampers.

Ordering instructions for UN-DP Belimo gateway

A-M-Systeme
 Automatisierungs-Modul-Systeme GmbH
 Rechterfelder Strasse 42a
 D-49429 Visbek
 Tel.: +49 (4431) 941509
 Fax: +49 (4431) 941511
 E-mail: info@a-m-systeme.de
 Web: www.a-m-systeme.de

