

- Level converter USB/MP
- Interface between USB and MP-Bus



## Content

<u>Technical Data</u>	<u>2</u>
<u>Safety notes</u>	<u>2</u>
<u>Product features</u>	<u>2</u>
<u>Local connection on service socket</u>	<u>4</u>
<u>Local Connection on clamps</u>	<u>4</u>
<u>Connection MP-Bus</u>	<u>5</u>
<u>Connection UK24LON/ UK24EIB</u>	<u>6</u>
<u>Connection UK24MOD/ UK24BAC</u>	<u>7</u>

## Technical Data

Ambient temperature	0 ... +50° C, non-condensing
Non-operating temperature	-40 ... +80° C
EMC	CE according to 2004/108/EG
Driver	Current version on Belimo website
Weight	160 g (with USB cable)

## Safety notes



**Only for connection to PC USB-Ports and Belimo 24V actuators (supplied with SELV or US class 2 voltage) only**

## Product features

The ZIP-USB-MP is a potential-free interface between the USB port on a PC and the BELIMO MP-Bus. It is used to connect the Belimo PC-Tool either to the MP-Bus or directly to a parameterisable MFT actuator.

### Power supply

The ZIP-USB-MP is supplied with voltage by the USB port.

### Driver

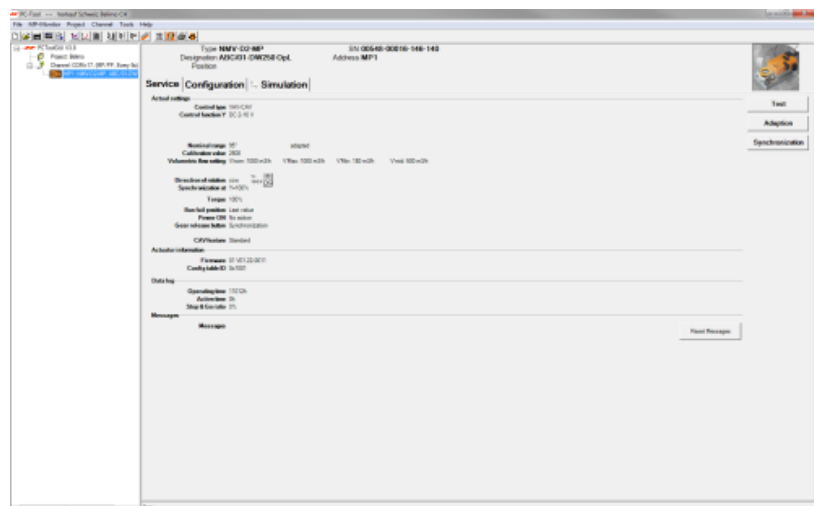
The required driver is installed with the PC-Tool MFT-P.  
If the driver has not been installed, this can be downloaded from the Belimo website (Download section).  
After installing the driver, the ZIP-USB-MP is shown as a virtual COM port on the PC.

### Master mode – Monitor mode

#### Operating as MP-Master

- To parameterize actuators via the MP-Bus
- To select set points for simulating actuators via the MP-Bus
- To link sensors connected to the MP actuators
- To record graphic trends

In Master mode, an 18V carrier signal for the MP-Bus communication will be given out of the ZIP-USB-MP. At this application no other MP master should be connected to the MP-Bus (Bus collision).



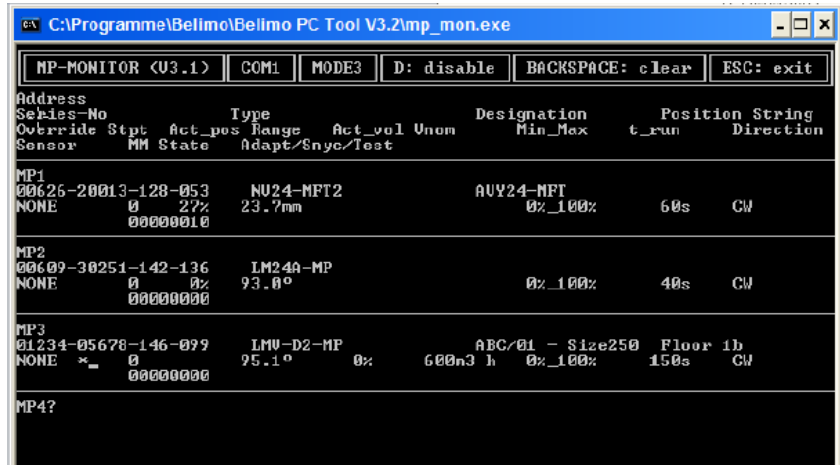
Product features

Master mode – Monitor mode

Operating as MP-Monitor

– To test MP communication with the MP-Monitor Tool (module of PC-Tool V3.x)

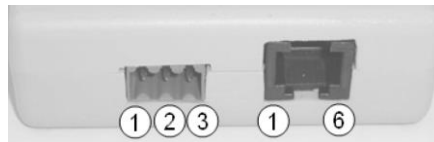
In MP-Monitor mode the carrier signal of the ZIP-USB-MP signal is switched off. The Level converter behaves passively and listen is just listening on the MP-Bus.



Connection

USB The Connection happens via the USB 2.0 interface. USB type B plug, connecting cable (1 m) with A to B plug enclosed

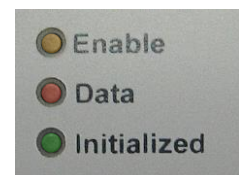
- MP-Bus
- 1 x 3-pol Weidmüller socket
  - 1 x RJ12 socket



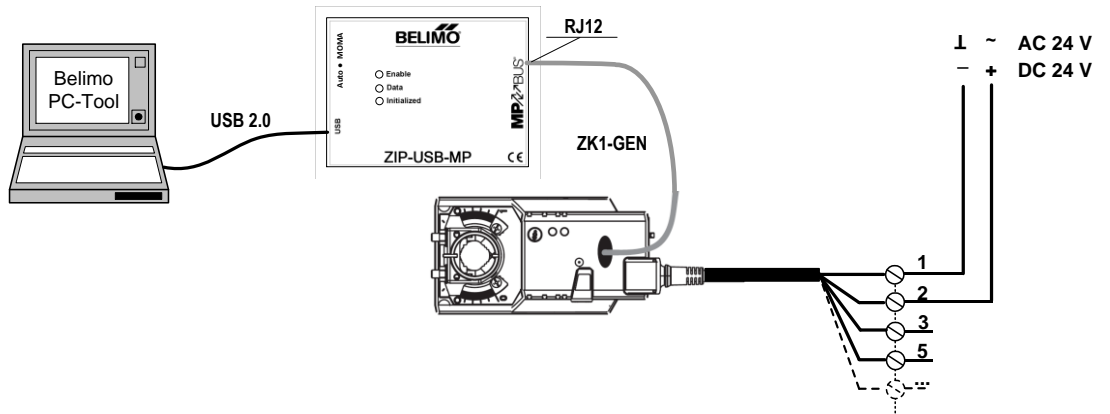
Wiring	Weidmüller 3 Pin	RJ12 Socket
	Pin1: MP-Bus	Pin 1: not connected
	Pin 2: Enable	Pin 2: GND
	Pin 3: Ground	Pin 3: not connected
		Pin 4: MP
		Pin 5: Enable
		Pin 6: not connected

LED display

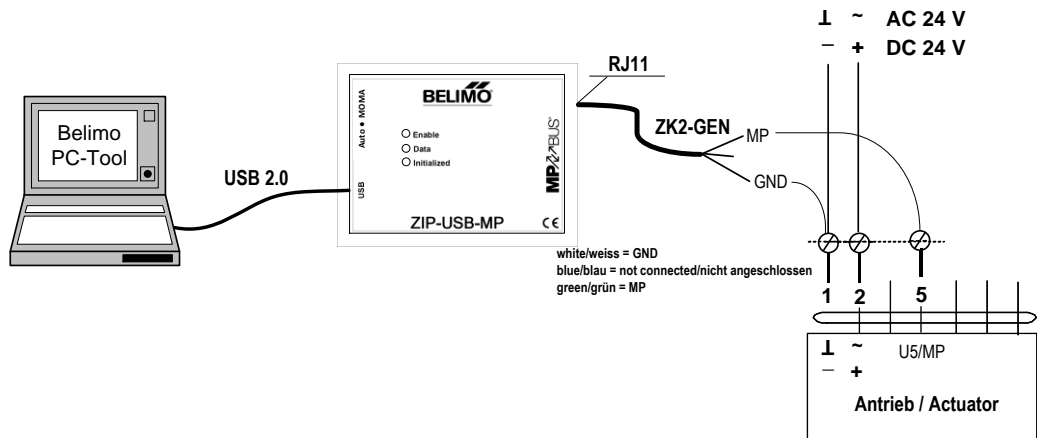
- Enable: USB-ZIP-MP Master mode active
- Data: Flashing at MP-communication
- Initialized: Device is initialized from the PC (Windows)



Local connection on service socket

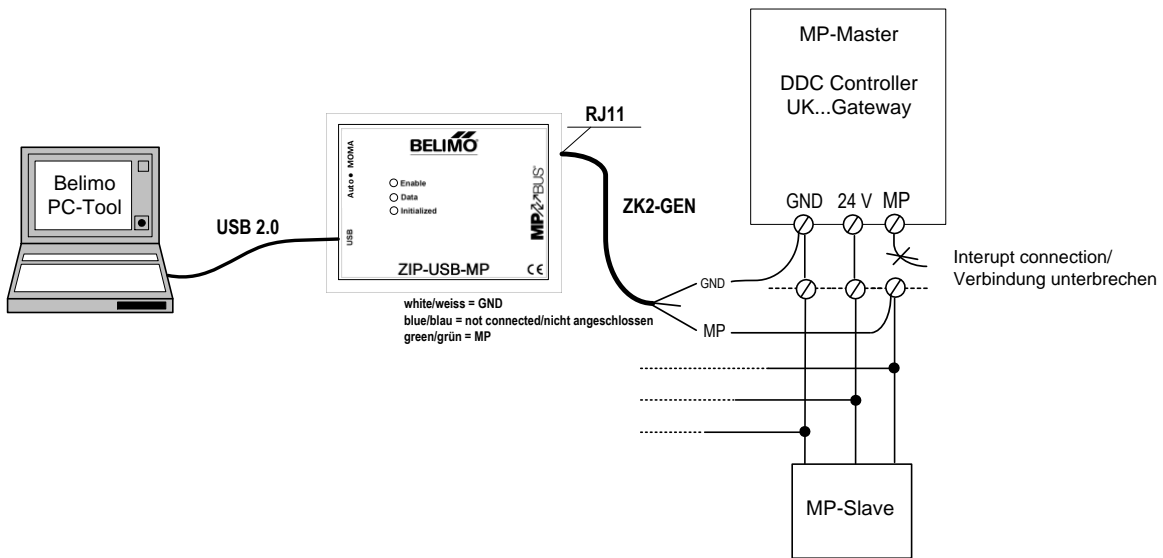


Local Connection on clamps

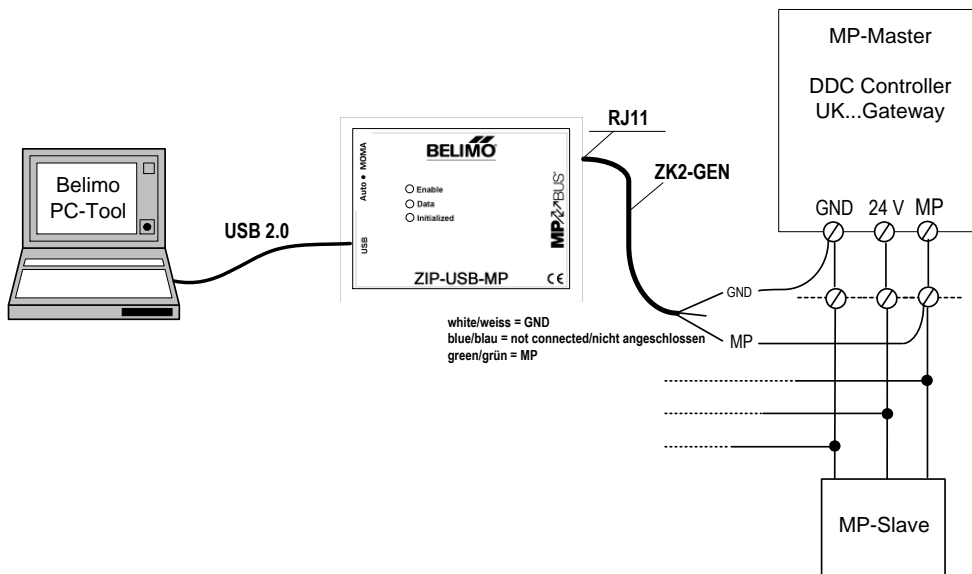


Connection MP-Bus

Master mode



Monitor mode

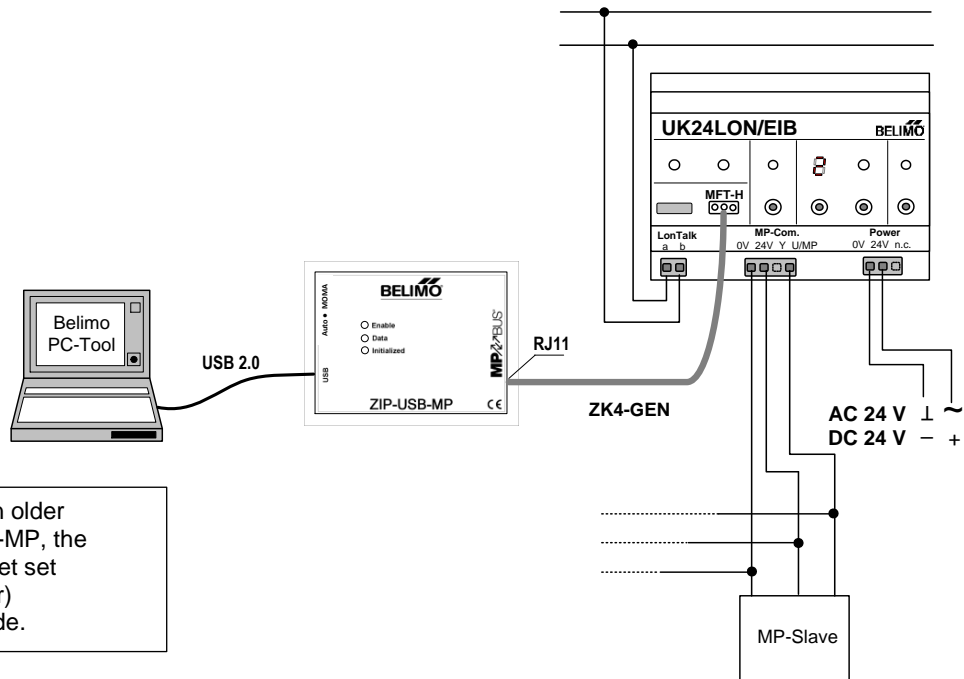


**Note:** If working with an older version of the ZIP-USB-MP, the MO/MA switch has to get set manually to MA (Master) resp. MO (Monitor) mode.

Connection UK24LON/ UK24EIB

Master /Monitor mode

By connecting the ZIP-USB-MP an enable signal will be sent to the gateway. Thereby the gateway stops working in MP-Master mode.

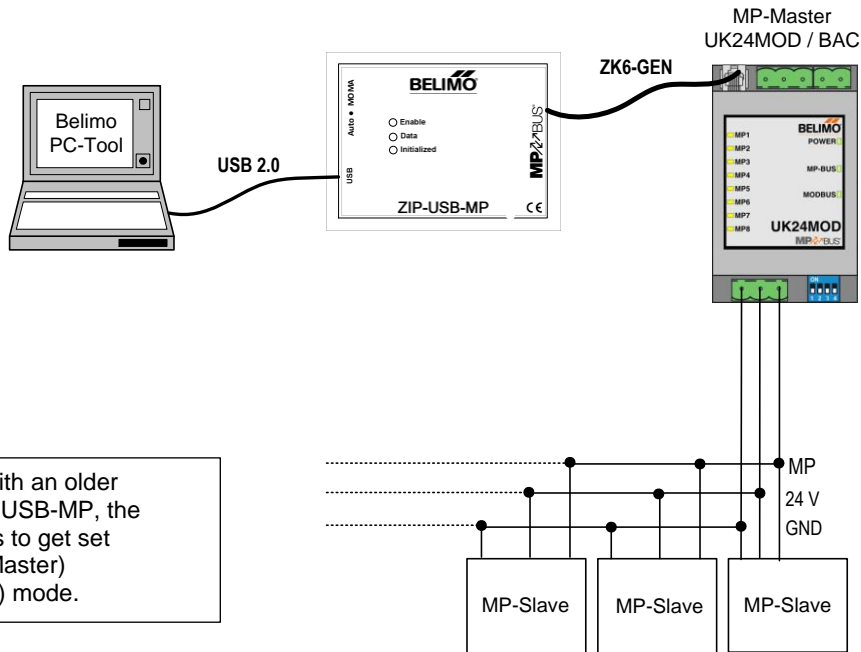


**Note:** If working with an older version of the ZIP-USB-MP, the MO/MA switch has to get set manually to MA (Master) resp. MO (Monitor) mode.

Connection UK24MOD/ UK24BAC

Master / Monitor mode

By connecting the ZIP-USB-MP an enable signal will be sent to the gateway. Thereby the gateway stops working in MP-Master mode.



**Note:** If working with an older version of the ZIP-USB-MP, the MO/MA switch has to get set manually to MA (Master) resp. MO (Monitor) mode.

# All-inclusive.



5-year warranty



On site around the globe



A complete range of products from one source



Tested quality



Short delivery times



Comprehensive support

## Headquarters

**BELIMO Holding AG**  
Brunnenbachstrasse 1  
CH-8340 Hinwil  
Tel. +41 43 843 61 11  
Fax +41 43 843 62 68  
info@belimo.ch  
www.belimo.com

## Subsidiaries, Representatives and Agencies

Albania  
Algeria  
Argentina  
Australia  
Austria  
Bahrain  
Belarus  
Belgium  
Bosnia  
Brazil  
Bulgaria

Cameroon  
Canada  
Central America  
Chile  
China  
Croatia  
Cyprus  
Czech Republic  
Denmark  
Egypt  
Estonia  
Finland  
France  
Georgia  
Germany  
Greece  
Great Britain  
Hong Kong  
Hungary  
Iceland  
India  
Indonesia  
Ireland  
Israel  
Italy

Japan  
Jordan  
Kazakhstan  
Korea  
Kuwait  
Latvia  
Lebanon  
Libya  
Lithuania  
Luxembourg  
Macedonia  
Malaysia  
Malta  
Mexico  
Moldova  
Montenegro  
Morocco  
Netherlands  
New Zealand  
Norway  
Oman  
Pakistan  
Philippines  
Poland  
Portugal

Qatar  
Romania  
Russia  
Saudi Arabia  
Serbia  
Singapore  
Slovakia  
Slovenia  
South Africa  
Spain  
Sri Lanka  
Sweden  
Switzerland  
Taiwan  
Thailand  
Tunisia  
Turkey  
United Arab Emirates  
Ukraine  
United States of America  
Vietnam

Belimo worldwide: [www.belimo.com](http://www.belimo.com)

**BELIMO**<sup>®</sup>