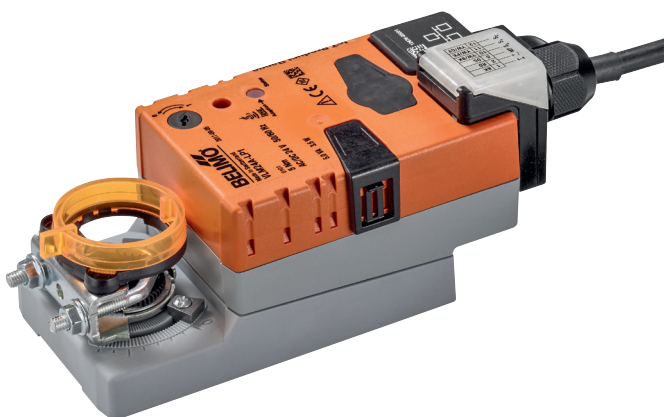


Cloud capable and communicative damper actuator for adjusting dampers in technical building installations

- Air damper size up to approx. 1 m²
- Torque motor 5 Nm
- Nominal voltage AC/DC 24 V
- Control modulating, communicative, hybrid, Cloud
- Conversion of sensor signals
- Ethernet 10/100 Mbit/s, TCP/IP, integrated web server
- Communication via BACnet IP, Modbus TCP and Cloud


Technical data

Electrical data	Nominal voltage	AC/DC 24 V	
	Nominal voltage frequency	50/60 Hz	
	Nominal voltage range	AC 19.2...28.8 V / DC 21.6...28.8 V	
	Power consumption in operation	4 W	
	Power consumption in rest position	3 W	
	Power consumption for wire sizing	6 VA	
	Connection supply / control	Cable 1 m, 6 x 0.5 mm ²	
	Connection control Ethernet	RJ45 socket	
	Parallel operation	Yes (note the performance data)	
Functional data	Torque motor	5 Nm	
	Communicative control	Cloud BACnet IP Modbus TCP	
	Operating range Y	DC 2...10 V	
	Input Impedance	34 kΩ	
	Operating range Y variable	DC 0.5...10 V	
	Position accuracy	±5%	
	Direction of motion motor	selectable with switch 0/1	
	Direction of motion note	Y = 0%: At switch position 0 for ccw rotation or 1 for cw rotation, respectively	
	Manual override	with push-button, can be locked	
	Angle of rotation	Max. 95°	
	Angle of rotation note	can be limited on both sides with adjustable mechanical end stops	
	Running time motor	150 s / 90°	
	Adaptation setting range	manual	
	Sound power level, motor	35 dB(A)	
	Mechanical interface	Universal shaft clamp 6...20 mm	
	Position indication	Mechanically, pluggable	
Safety	Protection class IEC/EN	III Safety Extra-Low Voltage (SELV)	
	Degree of protection IEC/EN	IP54	
	Degree of protection note	IP protection when using protective cap or protective grommet for RJ45 socket	
	EMC	CE according to 2014/30/EU	
	Mode of operation	Type 1	
	Rated impulse voltage supply / control	0.8 kV	
	Ambient temperature	-30...50°C	
	Storage temperature	-40...80°C	
	Ambient humidity	Max. 95% r.H., non-condensing	
	Servicing	maintenance-free	
	Weight	Weight	0.45 kg

Safety notes



- The device must not be used outside the specified field of application, especially not in aircraft or in any other airborne means of transport.
- Outdoor application: only possible in case that no (sea) water, snow, ice, insolation or aggressive gases interfere directly with the actuator and that is ensured that the ambient conditions remain at any time within the thresholds according to the data sheet.
- Only authorised specialists may carry out installation. All applicable legal or institutional installation regulations must be complied during installation.
- The device may only be opened at the manufacturer's site. It does not contain any parts that can be replaced or repaired by the user.
- Cables must not be removed from the device.
- To calculate the torque required, the specifications supplied by the damper manufacturers concerning the cross-section, the design, the installation site and the ventilation conditions must be observed.
- The device contains electrical and electronic components and must not be disposed of as household refuse. All locally valid regulations and requirements must be observed.

Product features

Mode of operation The actuator is controlled via the Cloud, BACnet IP or Modbus TCP and drives to the position defined by the control signal. Various data points can be written and read via the same interfaces.

Hybrid mode:

The actuator receives its analog control signal from the higher level controller and drives to the position defined. Using the Cloud, BACnet IP or Modbus TCP, various data points can be read and with the exception of the control signal written.

Converter for sensors Connection option for two sensors (passive sensor, active sensor or switching contact). The actuator serves as an analogue/digital converter for the transmission of the sensor signal to the higher level system.

Communication The parametrisation can be carried out through the integrated web server (RJ45 connection to the web browser), by communicative means or via the Cloud. Additional information regarding the integrated web server can be found in the separate documentation.

"Peer to Peer" connection

<http://belimo.local:8080>

The Notebook must be set to "DHCP".

Make sure that only one network connection is active.

Standard IP address:

<http://192.168.0.10:8080>

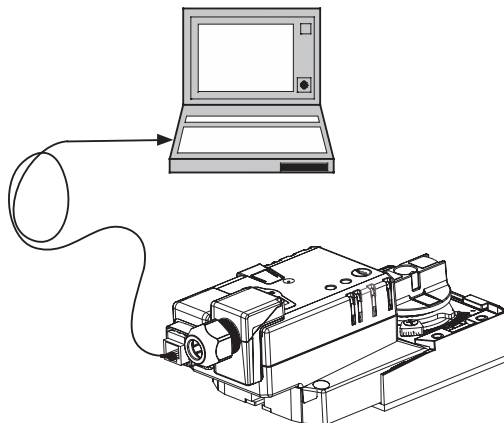
Static IP address

Password (read-only):

User name: «guest»

Password: «guest»

Simple direct mounting



Simple direct mounting on the damper shaft with a universal shaft clamp, supplied with an anti-rotation device to prevent the actuator from rotating.

Data recording

The recorded data (integrated data recording for 13 months) can be used for analytical purposes.

Download csv files via web browser.

Manual override

Manual override with push-button possible (the gear is disengaged for as long as the button is pressed or remains locked).

Adjustable angle of rotation

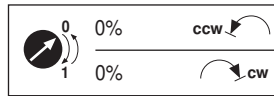
Adjustable angle of rotation with mechanical end stops.

High functional reliability

The actuator is overload protected, requires no limit switches and automatically stops when the end stop is reached.

Product features

Home position The first time the supply voltage is switched on, i.e. at the time of commissioning, the actuator carries out an adaption, which is when the operating range and position feedback adjust themselves to the mechanical setting range. The actuator then moves into the position defined by the positioning signal.



Adaption and synchronisation An adaption can be triggered manually by pressing the “Adaption” button. Both mechanical end stops are detected during the adaption (entire setting range). The actuator then moves into the position defined by the positioning signal.

Accessories

	Description	Type
Electrical accessories	Grommet for RJ connection module Multipack 50 pcs.	Z-STRJ.1
	Connection cable 5 m, A: RJ11 6/4 ZTH EU, B: 6-pin service socket for Belimo device	ZK1-GEN
Service Tools	Description	Type
	Service Tool, Setting tool with ZIP-USB function	ZTH EU

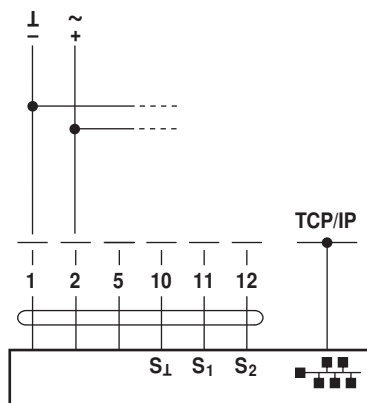
Electrical installation

Notes

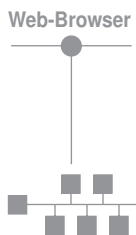
- Connection via safety isolating transformer.
- Parallel connection of other actuators possible. Observe the performance data.

Wiring diagrams

AC/DC 24 V



- Cable colours:**
- 1 = black
 - 2 = red
 - 5 = orange
 - 10 = yellow-black
 - 11 = yellow-pink
 - 12 = yellow-grey



Connection of a notebook for parameterisation and manual control via RJ45.

Optional connection via RJ45 (direct connection Notebook / connection via Intranet or Internet) for access to the integrated web server

Functions



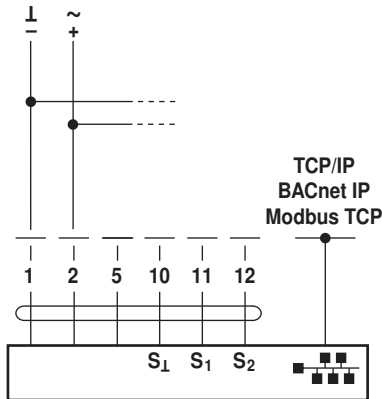
Notes

- The connection diagrams shows connections for the first sensor on terminal S1, while the second sensor can be connected identically on terminal S2.
- Parallel use of different sensor types is permitted.
- For hybrid operation, S1 is used for the control signal Y and must be configured as an active sensor.

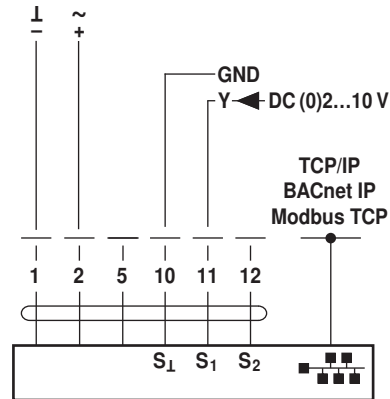
Functions for devices with specific parameters (Parametrisation with web server)

TCP/IP (Cloud) / BACnet IP / Modbus TCP

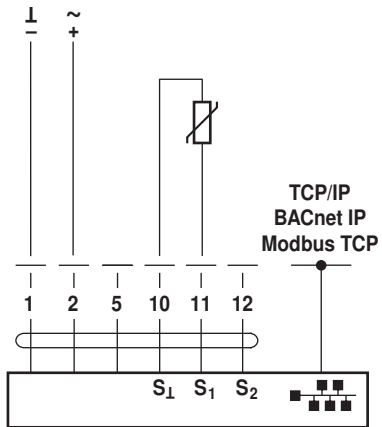
TCP/IP (Cloud) / BACnet IP / Modbus TCP with analogue setpoint (Hybrid operation)



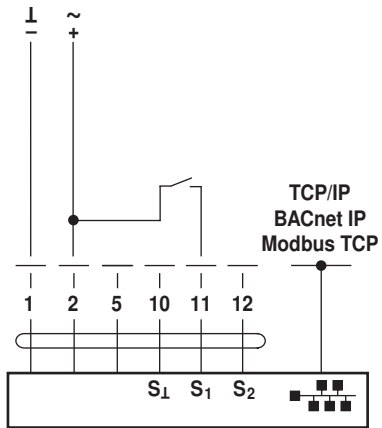
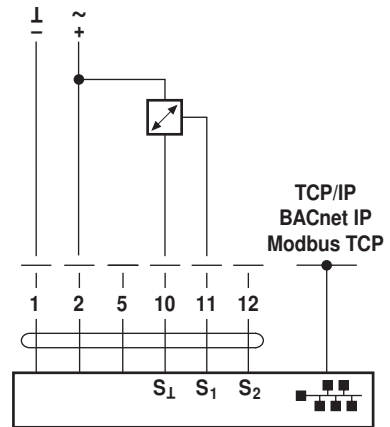
Connection of passive sensors



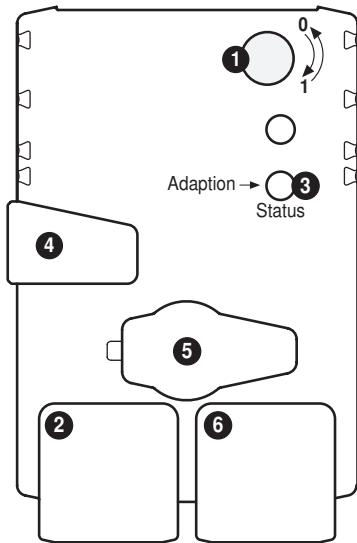
Connection of active sensors



Switching contact connection



Operating controls and indicators



- 1 Direction of rotation switch**
Switch over: Direction of rotation changes
- 2 LED display green**
Off: No power supply or wiring errors
On: Actuator starts operation
Flickering: In operation
- 3 Push-button and LED display orange**
Off: Standard mode
On: Adaptation or synchronising process active
Press button: Triggers angle of rotation adaptation, followed by standard mode
- 4 Gear disengagement button**
Press button: Gear disengages, motor stops, manual override possible
Release button: Gear engages, synchronisation starts, followed by standard mode
- 5 Service plug**
For the connection of ZTH EU
- 6 RJ45 socket**
For the connection of TCP/IP (Cloud), BACnet IP and Modbus TCP

Dimensions [mm]

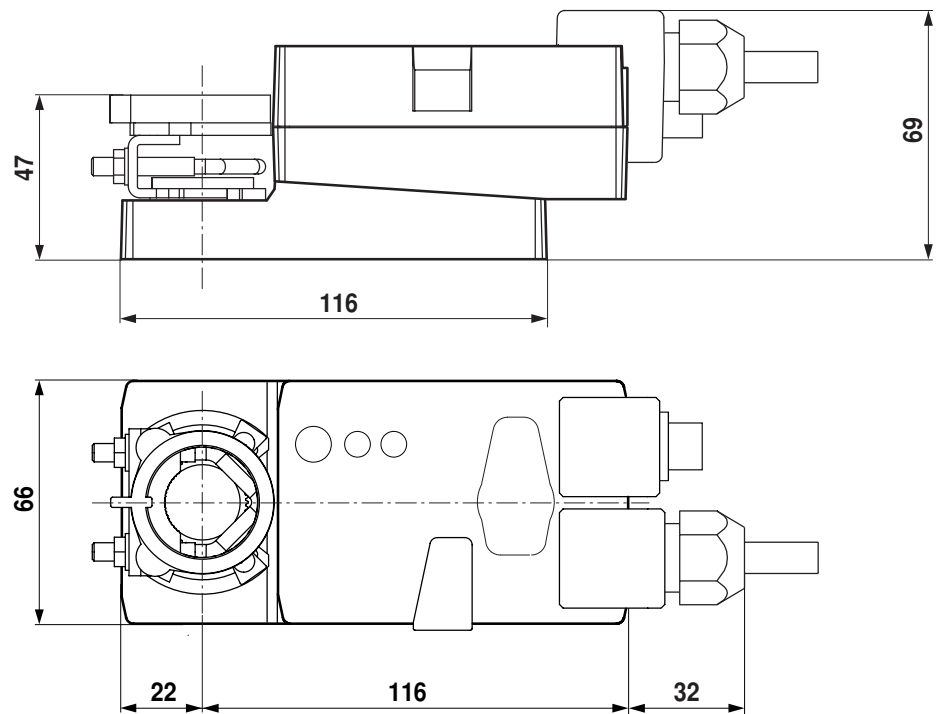
Spindle length

	Min. 37
	-

Clamping range

6...20	≥6	≤20

Dimensional drawings



Further documentation

- General notes for project planning
- Instruction Webserver
- Description Protocol Implementation Conformance Statement PICS
- Description Modbus register
- Description clientAPI